

VIN DIP INDIA PVT. LTD.

GROUP DRAWING

Product Category : Connector Covers

Sheet : 1 of 2

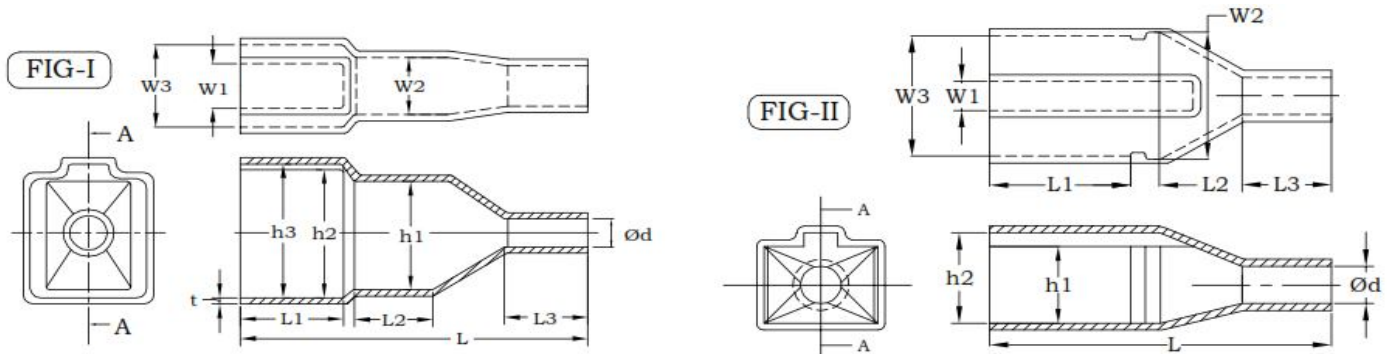


FIG	DESCRIPTION	PART NO	Ød	L1 _{±1.0}	L2	L3 _{±1.0}	L _{+2/-1}	W1	W2	W3	h1	h2	h3	t
-	90Sr. 3 Pole male	CC-85	5	14	10	15	50.5	-	5.8	10	13	-	17	1.2+0.3/-0.2
-	90Sr. 3 Pole Female	CC-86	5	12	18	15	57.5	-	7	12.2	12.5	-	19	1.2+0.3/-0.2
-	90Sr. 4 Pole male	CC-87	5.5	16	20	15	61.5	5.5	9	13.5	11	14.5	16.5	1.2+0.3/-0.2
-	90Sr. 4 Pole Female	CC-88	5.5	20	10	15	45	-	-	20	-	-	14	1.2+0.3/-0.2
FIG-I	90Sr. 6 Pole male	CC-50	8.5	13	20	15	61	-	9.5	15.5	17	21	-	1.2+0.5/-0.2
FIG-I	90Sr. 6 Pole female	CC-51	8.5	14	8	15	54	-	12	19	17	23.5	-	1.2+0.5/-0.2
FIG-I	90Sr. 8 Pole male	CC-56	9	15	18	15	66	-	10	15	19.5	23	-	1.2+0.5/-0.2
FIG-I	90Sr. 8 Pole female	CC-57	9	18	10	15	58	-	12	18	21	25	-	1.2+0.5/-0.2
-	90Sr. 10 Pole male	CC-116	8	14	21	15	60±2.0	-	10	15.5	25	-	28	1.2+0.3/-0.2
-	90Sr. 10 Pole female	CC-117	8	15	16	16	47±2.0	-	-	15	-	-	30	1.2+0.3/-0.2
FIG-I	90Sr. 12 Pole Male	CC-15A	10	16	16	16	56	10	35	39.5	12.5	16.5	17.5	1.2+0.2/-0.1
-	90Sr. 12 Pole Male	CC-103	10	16	20	15	66	-	-	15.5	29	-	32.5	1.2+0.4/-0.2
FIG-I	90Sr. 12 Pole female	CC-19A	10	16	15	22	65	-	17	18	26	32	-	1.2+0.2/-0.1
-	90Sr. 12 Pole female	CC-110	10	16	7	15	53±2.0	-	-	17	29	-	35	1.2+0.4/-0.2
-	90Sr. 14 Pole male	CC-118	10	17	21.5	15	68±2.0	-	15	20.5	26	-	29	1.2+0.3/-0.2
-	90Sr. 14 Pole female	CC-119	10	25	-	15	52±2.0	-	-	20	-	-	33	1.2+0.3/-0.2
FIG-I	90Sr. 20 Pole male	CC-63	13	16	20	15	85	-	10	14	50	53	-	1.2+0.5/-0.2
FIG-I	90Sr. 20 Pole female	CC-64	13.5	14	11	15	67	-	12	17	50	55	-	1.2+0.5/-0.2
FIG-I	110Sr. 2 Pole male	CC-71	5	18	11	12	54	5.4	9	13.4	6	9.5	11.5	1.2+0.3/-0.2
FIG-II	110Sr. 2 Pole female	CC-72	6	18	5	12	46	5.5	16	15.2	11.3	13.3	-	1.2+0.3/-0.2
-	110Sr. 3 Pole male	CC-100	6	19	12	12	52	-	6.2	11.4	13	-	17.3	1.2+0.3/-0.2
FIG-II	110Sr. 3 Pole female	CC-101	6	18	8	12	41	8.7	19.3	19.3	11.8	13.2	-	1.2+0.3/-0.2
FIG-I	110Sr. 4 Pole male	CC-73	8	18	12	12	54	5	8.5	13.5	10.5	14.5	16.5	1.2+0.3/-0.2
FIG-II	110Sr. 4 Pole female	CC-74	8	18	5	12	45	5.5	15.5	14.7	16	18	-	1.2+0.3/-0.2
FIG-I	110Sr. 6 Pole male	CC-75	6	18	11	12	51	5.4	13	16.8	11	14	16	1.2+0.3/-0.2
-	110Sr. 6 Pole male	CC-29	9	8	-	10.5	51	-	-	16.5	13	-	16.5	1.3+0.2/-0.1
FIG-II	110Sr. 6 Pole female	CC-76	5	16	7	12	48	7.5	18.5	17.5	16	18.5	-	1.2+0.3/-0.2
-	110Sr. 6 Pole female	CC-30	7	4.5	-	10.5	40	-	-	21.5	19.5	-	23.5	1.3+0.2/-0.1
FIG-I	110Sr. 9 Pole male	CC-77	10	18	13	12	54	6	13.2	17.5	15.5	19.3	21.3	1.2+0.3/-0.2
FIG-II	110Sr. 9 Pole female	CC-78	10	19	5	12	46	6.5	20	18	21	23	-	1.2+0.3/-0.2
FIG-I	110Sr. 16 Pole male	CC-79	10.5	15	20	15	67	-	15	20	25	30	-	1.2+0.3/-0.3
FIG-I	110Sr. 16 Pole male	CC-80	11	20	-	15	50	-	-	22	-	33	-	1.2+0.3/-0.3

* All Dimensions are in mm

VIN DIP INDIA PVT. LTD.

GROUP DRAWING

Product Category : Connector Covers

Sheet : 2 of 2

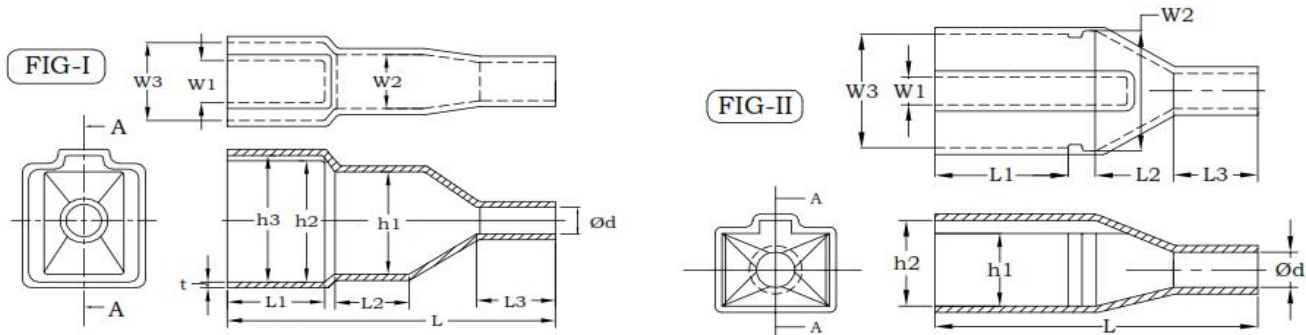


FIG	DESCRIPTION	PART NO	Ød	L1 _{±1.0}	L2	L3 _{±1.0}	L _{+2/-1}	W1	W2	W3	h1	h2	h3	t
FIG-I	250Sr. 1 Pole Male	CC-11	4.8	14	15	12.5	52.5	8	10	13.5	7	9.5	13	1.2+0.2/-0.1
FIG-I	250Sr. 1 Pole Female	CC-10	4.8	10	15.5	12.5	49.5	13	10	18	13.5	11	13	1.2+0.2/-0.1
FIG-I	250Sr. 2 Pole Male	CC-60	5	21	15	15	61	8.5	9	13.5	15.5	19	21.5	1.2 +0.5/-0.2
-	250Sr. 2 Pole Male	CC-2M	8	17	16	18	59±1.5	9	9.8	13.6	15.6	19	22	1.5 +0.5/-0.2
FIG-I	250Sr. 2 Pole Female	CC-59	10	12	13	15	50	10	12	15.5	20	21.5	23	1.2 +0.5/-0.2
-	250Sr. 2 Pole Female	CC-2F	8	13	14	18	56±2.0	6.8	10.5	17.8	21.5	-	24	1.6 +0.5/-0.3
FIG-I	250Sr. 3 Pole male	CC-12	8	14	16	18	60	8.5	13	16	17	20	23	1.2 +0.5/-0.2
-	250Sr. 3 Pole male	CC-3M	8.2	16	15	16	59±2.0	8.5	12	15	15.5	18.5	21.5	15.0±0.5
FIG-I	250Sr. 3 Pole female	CC-17	8	16	13	18	59	-	15	20	20	22	-	1.2+0.3/-0.2
-	250Sr. 3 Pole female	CC-3F	8	15.5	13	16	56±2.0	12	14.5	20.5	25	21.5	25	1.5±0.5
FIG-I	250Sr. 4 Pole Male	CC-52	8.5	15	15	15	60	9	20	21	12	16	19	1.2 +0.5/-0.2
FIG-I	250Sr. 4 Pole Male	CC-13	8	18	13	30	70	-	12	14	17.5	21	-	1.2 +0.2/-0.1
-	250Sr. 4 Pole Male	CC-4M	7.8	16	15.5	32	75.5±1.5	8.5	18.5	20.5	11	14.5	17.5	1.5±0.5
FIG-I	250Sr. 4 Pole Female	CC-53	8.5	14	16	15	60	11	18.5	25	14	18	25	1.2 +0.5/-0.2
FIG-I	250Sr. 4 Pole Female	CC-18	8	16	15	28	70	-	18	19.5	19	24	-	1.2 +0.2/-0.1
-	250Sr. 4 Pole Female	CC-4F	8	31±3.0	-	16±2.0	47±3.0	-	-	22	-	-	23.5	1.4±0.4
FIG-I	250Sr. 6 Pole male	CC-54	10	16.5	14	15	65	10	28	33	12	18	19.5	1.2 +0.5/-0.2
FIG-I	250Sr. 6 Pole male	CC-14	8	16	12	30	70	-	11	16	27	30	-	1.2 +0.2/-0.1
-	250Sr. 6 Pole male	CC-6M	11	16	12	31	71±1.5	-	-	17.5	27	-	30.5	1.5 ±0.5
FIG-I	250Sr. 6 Pole female	CC-19	7.5	16	15	21	69	-	17	18	26	32	-	1.2 +0.2/-0.1
FIG-I	250Sr. 6 Pole female	CC-19A	10	16	15	22	65	-	17	18	26	32	-	1.2 +0.2/-0.1
-	250Sr. 6 Pole female	CC-6F	11	13.5	13	20	59.5±2.0	9.5	27	32.5	-	-	18	1.5 ±0.5
FIG-I	250Sr. 6 Pole female	CC-65	10	16	15	22	66	-	17	18	26	35	-	1.2 +0.5/-0.2
FIG-I	250Sr. 8 Pole Male	CC-15	8	16	16	16	56	10	35	39.5	12.5	16.5	17.5	1.2 +0.2/-0.1
-	250Sr. 8 Pole Male	CC-8M	12	16	13.5	20	60±1.5	-	12	17.5	35.5	-	39.5	1.5 ±0.5
FIG-I	250Sr. 8 Pole Female	CC-20	7.5	15	13	20	58	10	35.8	43	13	18	19	1.2 +0.2/-0.1
-	250Sr. 8 Pole Female	CC-8F	12	15	15	19.5	57.5±2.0	-	13	19	35	-	43	1.5 ±0.5
FIG-I	250Sr. 10 Pole Male	CC-55	13	15.5	20	15	83	12	50	52.5	13	15.5	18	1.2 +0.5/-0.2
-	250Sr. 10 Pole Male	CC-109	13	15.5	19	15	81±2.0	-	14	21	49.5	-	56	1.2 +0.5/-0.2
FIG-I	305Sr. 1 Pole male	CC-61	5	12	19	15	54	8	12	15	7.5	11.5	14.5	1.2 +0.3/-0.3
FIG-I	305Sr. 1 Pole female	CC-62	5	11	19	15	54	9	12	18	9.5	13	17	1.2 +0.3/-0.3
FIG-I	305Sr. 2 Pole male	CC-12	8	14	16	18	60	8.5	13	16	17	20	23	1.2+0.5/-0.2
FIG-I	305Sr. 2 Pole female	CC-58	10	14	17	15	56	11	16.5	22	14.5	18.5	21.5	1.2+0.5/-0.2
FIG-I	250+350Sr. 7P male	CC-81	10	17	20	15	69	13	14	20.6	36	40	-	1.2 +0.3/-0.3
FIG-I	250+350Sr. 7P female	CC-82	12	17	12.5	15	61.5	15	16	24	38	43	-	1.2 +0.3/-0.3
FIG-I	17Pole C.C	CC-38	12.8	17	19.6	20	86.6	-	12.8	18	50.2	53.8	-	1.2 +0.2/-0.2
FIG-I	21Pole male C.C	CC-36	15	16.5	10.7	20	77.2	-	15	18.1	64.3	70.2	-	1.2 +0.2/-0.2
FIG-I	21Pole female C.C	CC-37	12.8	18	19.6	20	87.6	-	12.8	18	64	67.1	-	1.2 +0.2/-0.2

* All Dimensions are in mm